



**GIA**  
GEMOLOGICAL INSTITUTE OF AMERICA®

5355 Arden Drive | Carlsbad, CA 92008-4902  
T: 760-603-4500 | F: 760-603-1814

**GIA Laboratories**  
Bangkok      Carlsbad      Gaborone  
Johannesburg      Mumbai      New York

www.gia.edu

**COLORED DIAMOND GRADING REPORT**

GIA REPORT 10958099

January 1, 2007

Laser Inscription Registry ..... **GIA 10958099**  
Shape and Cutting Style ..... **Cut-Cornered  
Rectangular Modified Brilliant**  
Measurements ..... **6.59 x 5.99 x 3.75 mm**

**GRADING RESULTS**

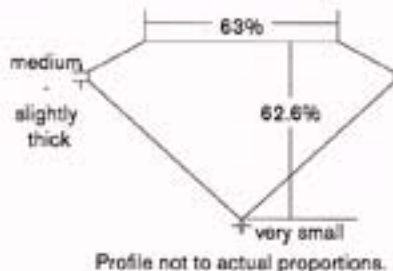
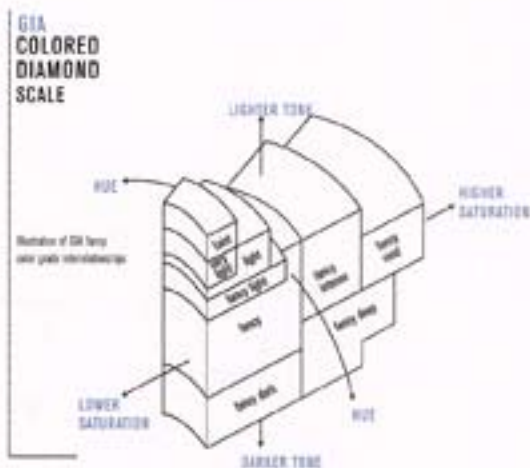
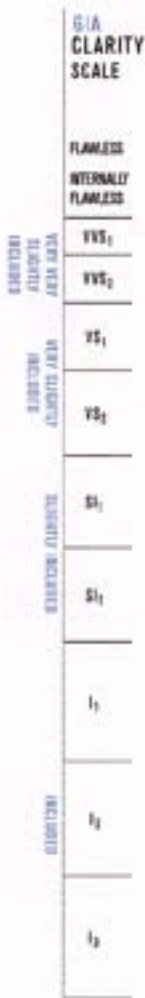
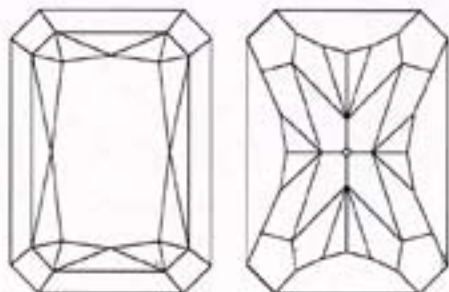
Carat Weight ..... **1.18 carat**  
Color ..... **NATURAL**  
Origin ..... **NATURAL**  
Grade ..... **FANCY  
YELLOW**  
Distribution ..... **Even**  
Clarity Grade ..... **VS1**

**ADDITIONAL GRADING INFORMATION**

Finish  
Polish ..... **Very Good**  
Symmetry ..... **Very Good**  
Fluorescence ..... **None**  
Comments:

**\*SAMPLE\*SAMPLE\*SAMPLE\*SAMPLE**

**REFERENCE DIAGRAMS**



**KEY TO SYMBOLS**

- Crystal
- ~ Feather
- △ Natural

Red symbols denote internal characteristics (inclusions). Green or black symbols denote external characteristics (blemishes). Diagram is an approximate representation of the diamond, and symbols shown indicate type, position, and approximate size of clarity characteristics. All clarity characteristics may not be shown. Details of finish are not shown.

This Report is not a guarantee, valuation or appraisal and contains only the characteristics of the diamond described herein after it has been graded, tested, examined and analyzed by the laboratory providing this Report ("GIA") and/or has been inscribed using the techniques and equipment used by GIA at the time of the examination and/or inscription. Inscriptions reported in this document are not a guarantee, valuation, or warranty of a diamond's quality, security of origin or source, or that the diamond will be identifiable by the inscription in the future (since inscriptions can be removed). GIA makes no representation concerning any trademark, word, or symbol which is recorded by GIA or which is identified in this Report. The recipient of this Report may wish to consult a professional jeweler or gemologist about the information contained herein.



**IMPORTANT LIMITATIONS ON BACK**

©2006 GEMOLOGICAL INSTITUTE OF AMERICA, INC.